

PARTS CATALOG

Boomer 41 Tractor With Cab Tier 4B

Print No. 696104220PC
6/2016



PARTS CATALOG

Boomer 41 Tractor With Cab Tier 4B

Print No. 696104220PC
6/2016



NEW HOLLAND

AGRICULTURE

All rights reserved by **CNHi**.

The information contained in this catalogue is intended to be of a general nature only. **CNHi** may at any time and from time to time, for technical or other necessary reasons, modify any of the details or specifications of the product described in this catalogue.

To be sure of getting accurate, detailed and up-to-date information, an intending buyer should consult his nearest **CNHi** dealer or distributor.

Single item numeration method used in this catalogue may not be used without written consent from **CNHi**.


- 1 Model Number and Model Description
- 2 Reference - Figure call-out of the part number.
- 3 Parts supplied in repair kits per symbol reference.
- 4 31.220.AD Part illustrated on the **Page** or in the **Figure** indicated, or calls for **Variations** or **Details**. Indicates components shown in detail elsewhere in the catalogue under the figure number shown.
- 5 Footnote references
- 6 Figure notes
- 7 1 2 Includes item(s) (See Description within partlist).
- 8 Orientation. (Arrow indicates front of the machine). 
- 9 Figure description.
- 10 General information of the figure.
- 11 Figure title number that aligns with the SRT. Standard Repair Time.
- 12 **Sequence** code within the assembly.
- 13 Page number within the sequence code.
- 14 **Date** of printing or updating of page (month-year).
- 15 **Note** - Relating to the Part Number. There is a key to symbols and abbreviations at the bottom of the text page.
- 16 Non-serviced parts.
- 17 Further description of the part to help confirm identification.
- 18 Not available as service part.
- 19 Part Number.
- 20 To be defined.
- 21 Total **Quantity** of the Part referred to in the page.
The quantity can be replaced by the following indications:
AR = quantity as requested.
- 22 Part **Description**.
- 23 Variant Codes

TABLE OF CONTENTS

88.100.06		DIA KIT, FOPS CANOPY KIT WHITE - 718857196
05.100.03	01	FILTERS, BOOMER 33, 37, 41, 47
88.100.AN	02	GRILLE GUARD KIT - DIA KIT, P/N 719849276
10.001.AB	02	CRANKCASE ASSY
10.001.AD	02	ENGINE
10.001.AK	03	ENGINE FRAME, BOOMER 41, 47
10.001.AK	05	ENGINE HARNESS BRACKET
10.101.AA	02	CYLINDER HEAD
10.102.BB	02	GEAR, TIMING CONTROL
10.103.AA	02	MOVING UNIT
10.106.AA	02	ROCKER COVER AND CAMSHAFT
10.110.AC	01	BALANCER
10.202.AB	02	AIR CLEANER, BOOMER 41, 47
10.216.AI	01	FUEL TANK
10.218.AD	02	FUEL LINE AND INLINE FILTER
10.254.AC	02	EXHAUST MANIFOLD
10.400.AE	02	COOLING SYSTEM LINE
10.400.BE	01	RADIATOR
10.400.BE	01	RADIATOR
10.400.BE	02	RADIATOR, BOOMER 41, 47
10.408.00	02	TRANSMISSION OIL COOLER, HST, BOOMER 41, 47
10.408.AO	02	TRANSMISSION OIL COOLER, HST
10.501.AD	02	DIESEL EXHAUST SYSTEM, BOOMER 41, 47
10.501.AF	02	BURNER, BOOMER 41, 47
10.501.AG	02	AIR PUMP, BOOMER 41, 47
18.100.AF	02	CLUTCH PEDAL, BOOMER 41, 47
18.110.AB	02	CLUTCH, BOOMER 41, 47
18.112.AC	02	DAMPER, BOOMER 41, 47
21.110.AB	02	CLUTCH HOUSING, MECH, BOOMER 41, 47
21.110.AB	04	CLUTCH HOUSING, HST, BOOMER 41, 47
21.120.AB	02	TRANSMISSION HOUSING, BOOMER 41, 47
21.120.AF	02	PTO SHIELD, BOOMER 41, 47
21.130.BC	06	SHIFTING UNIT, MECH RANGE GEAR, BOOMER 41, 47
21.130.BC	08	SHIFTING UNIT, HST RANGE GEAR

TABLE OF CONTENTS

21.130.BC	09	SHIFTING UNIT, CREEPER COVER, BOOMER 41, 47
21.135.AQ	02	TRANSMISSION CONTROL VALVE
21.140.AM	02	RANGE GEAR SHAFT, MECH, BOOMER 41, 47
21.145.AA	01	TRANSMISSION MAIN SHAFT, MECH, BOOMER 41, 47
21.145.AA	02	TRANSMISSION MAIN SHAFT, HST, BOOMER 41, 47
23.101.AL	02	SHIFTING UNIT, 4WD, BOOMER 41, 47
23.314.AG	02	4WD SHAFT, BOOMER 41, 47
23.314.AH	02	FRONT DRIVE
25.100.AA	02	FRONT AXLE ASSY
25.102.AD	02	FRONT AXLE DIFFERENTIAL, BOOMER 41, 47
25.102.AJ	03	FRONT AXLE HOUSING, CENTER
27.100.AK	02	REAR AXLE, BOOMER 41, 47
27.106.AC	02	REAR AXLE, DIFFERENTIAL, BOOMER 41, 47
27.106.AK	03	DIFFERENTIAL LOCK, HST
29.200.AN	02	HYDROSTATIC TRANSMISSION CONTROL
29.202.AJ	02	HYDROSTATIC TRANSMISSION HOUSING, BOOMER 41, 47
29.202.AJ	02	HYDROSTATIC TRANSMISSION, BOOMER 41, 47
31.101.AB	02	SHIFTING UNIT, PTO, BOOMER 41, 47
31.101.AB	03	SHIFTING UNIT, PTO, BOOMER 41, 47
31.110.AO	02	PTO SHAFT, MECH, BOOMER 41, 47
31.110.AO	04	PTO SHAFT, HST, BOOMER 41, 47
31.120.AA	02	MID PTO SHAFT AND LEVER, BOOMER 41,47
31.201.AG	04	PTO DRIVE SHAFT, BOOMER 41, 47
33.110.AJ	01	PARKING BRAKE, HST
33.120.AG	03	REAR BRAKE PEDAL, HST, BOOMER 41, 47
33.120.AG	04	BRAKE PEDAL, BOOMER 41, 47
33.120.AG	06	FRONT BRAKE PEDAL, MECH, BOOMER 41, 47
33.120.AH	02	BRAKE, BOOMER 41, 47
35.100.AH	01	HYDRAULIC LINE
35.100.AH	02	HYDRAULIC SUCTION LINES
35.100.AR	02	HYDRAULIC LINES
35.116.AH	04	HYDRAULIC CYLINDER, CAB
35.204.BE	04	REMOTE CONTROL VALVE
35.204.BE	08	REMOTE CONTROL VALVE

TABLE OF CONTENTS

35.204.BE	11	REMOTE CONTROL VALVE, BOOMER 41, 47
35.204.BL	01	REMOTE CONTROL LEVER
35.723.AG	01	FRONT LOADER CONTROL VALVE ASSY
35.724.AE	01	FRONT LOADER JOYSTICK CONTROL KIT
35.724.AE	01	FRONT LOADER JOYSTICK CONTROL KIT, BOOMER 33, 37, 41, 47
37.100.AA	02	DRAWBAR HITCH, BOOMER 41, 47
37.108.AE	01	HYDRAULIC CONTROL LEVER, W/DRAFT, CAB
37.108.AE	02	HYDRAULIC CONTROL LEVER, W/O DRAFT, CAB
37.108.AE	04	HYDRAULIC CONTROL LEVER, CAB
37.108.AG	01	TOWING EQUIPMENT OPTION, DRAFT, CAB
37.110.AM	02	HYDRAULIC LIFT
37.110.AP	02	HYDRAULIC SYSTEM
37.120.AL	01	POSITION & DRAFT CONTROL LINK
37.120.AL	04	UPPER LINK BRACKET, BOOMER 41, 47
37.120.AL	05	UPPER LINK BRACKET, BOOMER 41, 47
37.120.AO	03	LINK
37.120.AO	04	LINK, HOOK
37.120.AV	01	LIFTING ROD
41.101.AB	02	STEERING COLUMN, CAB
41.101.AJ	01	STEERING WHEEL
41.101.AU	01	PEDAL FRAME, HST
41.101.AU	01	PEDAL FRAME, HST, FARMALL 35C, CAB
41.106.00	02	TIE-ROD ASSY, BOOMER 41, 47
41.216.AN	04	STEERING CYLINDER AND LINES, HST
41.216.AN	05	STEERING CYLINDER AND LINES, MECH
44.520.AB		WHEEL & BOLTS
44.520.AB		WHEEL AND TIRE, BOOMER 33, 37, 41, 47
50.200.AA	02	AIR CONDITIONER, COMPRESSOR
50.200.AB	02	AIR CONDITIONING, LINES, CAB
50.200.CB	01	AIR CONDITIONING ASSY
50.200.CD	01	AIR DUCTS & HOSES, CAB
55.000.AA	02	WIRING ASSY
55.015.AB	01	ENGINE WIRE HARNESS, BOOMER 41, 47
55.100.DO	08	ELECTRIC PANEL, HST

TABLE OF CONTENTS

55.302.AG	02	BATTERY & CABLES
55.404.AQ	01	HEADLIGHT
55.404.BM	01	REAR LAMPS
55.404.CN	01	REAR WORK LAMP
55.408.AM	01	HORN
55.510.AF	01	WIRE HARNESS, CAB
55.512.AA	01	RADIO, CAB
55.512.AA	02	SPEAKERS
55.512.BG	01	RH CONSOLE
55.512.BQ	01	INSTRUMENT CLUSTER
55.518.AZ	01	WINDSHIELD WIPER
55.518.AZ	02	WINDOW, WIPER
55.525.AL	01	ENGINE CONTROL, LEVER
88.040.AA	01	DIA KIT, FRONT END WHEEL WEIGHTS, WEIGHT CARRIER & WEIGHT ADAPTER BRACKET SUPERSTEER
88.100.08		DIA KIT, REAR COUNTERWEIGHT BRACKET - 718740016
88.100.23		DIA KIT, PTO GEAR HOUSING
88.100.55	01	DIA KIT, BEACON
88.100.AH	03	DIA KIT, 7-PIN CONNECTOR - MT20119007
88.100.AN	01	WARNING TRIANGLE
90.100.AU	01	HOOD, FRONT GRILLE, BOOMER 33, 37, 41, 47
90.100.AU	03	HOOD
90.102.AD	02	HOOD SUPPORT
90.108.AB	01	MODEL & SAFETY DECALS
90.108.AC	01	DECALS, SAFETY
90.110.AP	01	FRAME
90.116.AC		FENDER
90.118.BM	01	EXTERNAL, REAR VIEW MIRROR
90.118.CD	03	PLATFORM, MOUNTING PARTS
90.124.AE	01	SEAT
90.150.BG	01	CAB ROOF
90.151.AE	01	SUN CURTAIN
90.151.AF	01	CAB INTERIOR TRIM, FRONT CONSOLE, BOOMER 33, 37, 41, 47
90.151.AK	01	REAR VIEW MIRROR

TABLE OF CONTENTS

90.151.AN	01	CAB INTERIOR TRIM, RIGHT SIDE
90.151.AN	02	CAB INTERIOR TRIM, LEFT SIDE
90.151.AN	03	HEADLINER
90.151.AN	04	CAB JOYSTICK, COVER
90.154.AA	01	CAB DOOR
90.156.AB	01	CAB GLASS, REAR
90.156.AG	01	CAB GLASS, FRONT
90.156.AI	01	CAB GLASS, SIDE
90.160.AO		INSTRUMENT CLUSTER
90.160.AR	01	CAB FLOOR, HST

SECTION INDEX

GENERAL & PICTORIAL INDEX

88.100.06

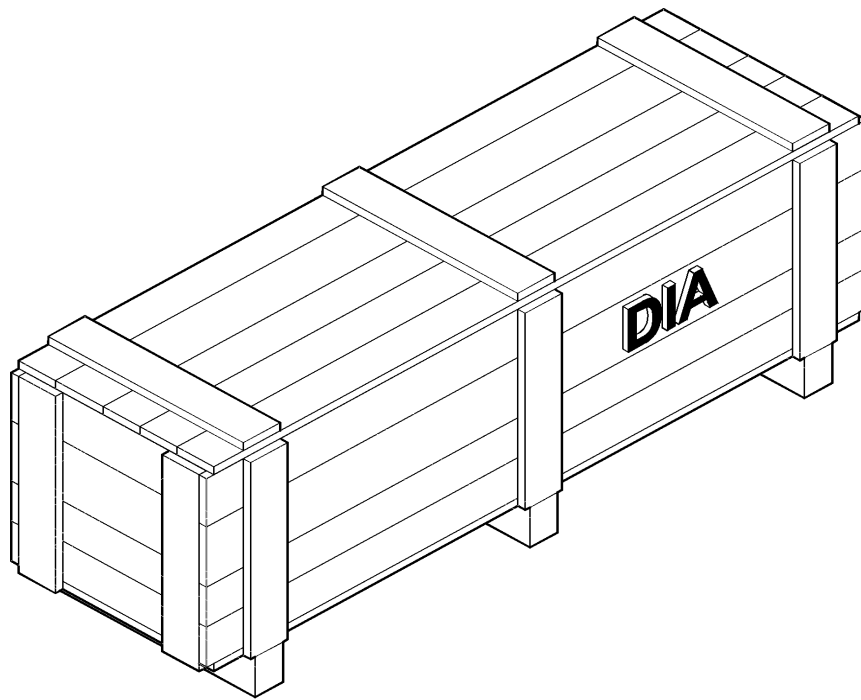
DIA KIT, FOPS CANOPY KIT WHITE - 718857196

88.100.06

p1

6/2016

DIA KIT, FOPS CANOPY KIT WHITE - 718857196



88.100.06

p1

6/2016

DIA KIT, FOPS CANOPY KIT WHITE - 718857196

REF FN	PART NUMBER	YR/SN	QTY DESCRIPTION
1	718857196		1 CANOPY DIA, FOPS CANOPY KIT (WHITE)

BOOMER 41-COMPACT TRACTOR W/CAB - TIER 4B (NA)

SECTION INDEX

SERVICE & MAINTENANCE

05.100.03 01 FILTERS, BOOMER 33, 37, 41, 47

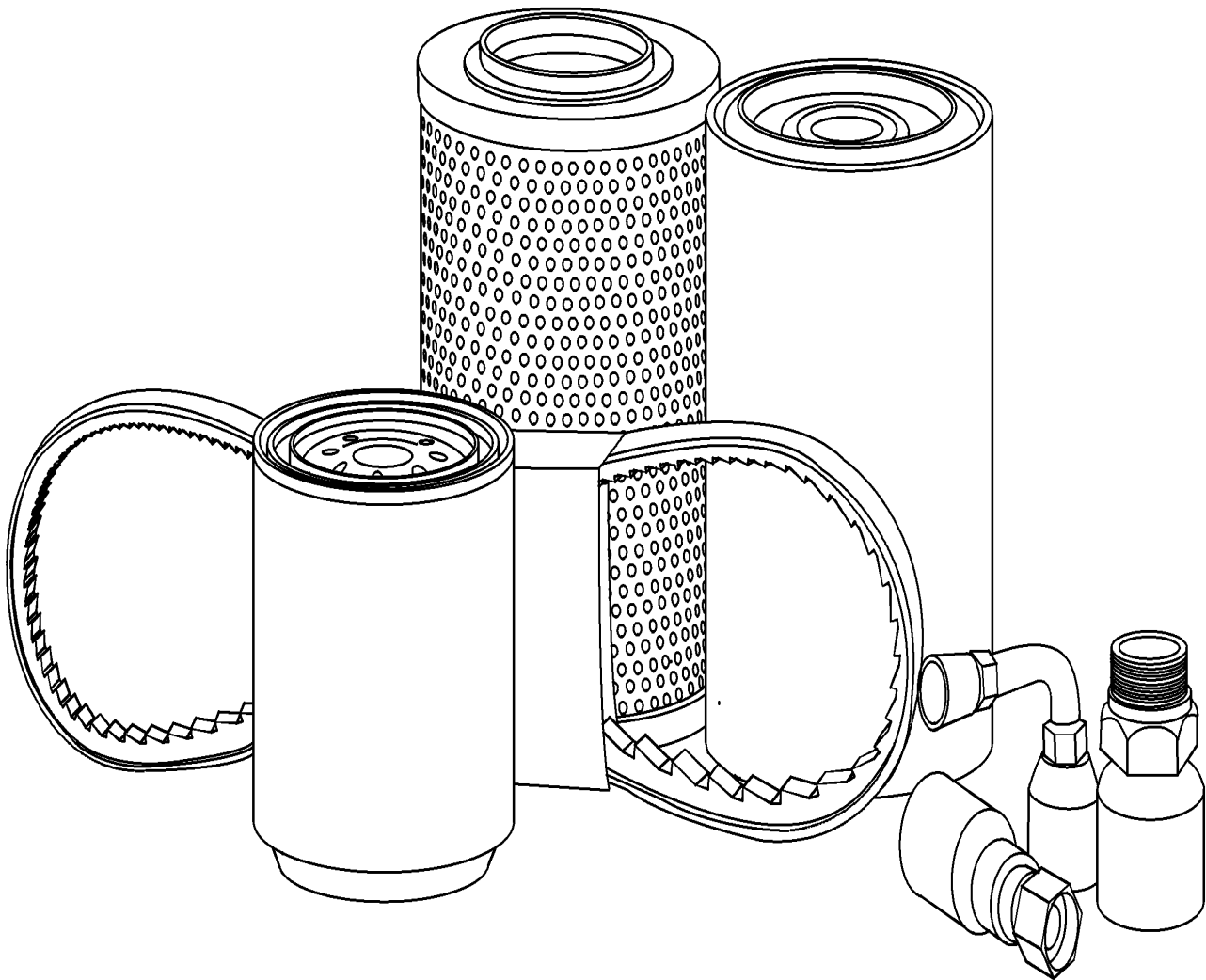
05.100.03

01

p1

6/2016

FILTERS, BOOMER 33, 37, 41, 47



Verified by Engineering



FILTERS, BOOMER 33, 37, 41, 47

REF FN	PART NUMBER	YR/SN	QTY DESCRIPTION
1	MT40283380		1 ENGINE OIL FILTER
2	MT40283326		1 FILTER
3	MT40007576		1 ELEMENT
4	MT40049446		1 FILTER
5	MT40007563		1 FILTER
6	MT40007638		1 HYDRAULIC OIL FILTER
7	MT40279917		1 FILTER ASSY Fuel
8	MT40007575		1 ELEMENT Primary
9	MT40049447		1 AIR FILTER Safety

BOOMER 41-COMPACT TRACTOR W/CAB - TIER 4B (NA)

**Thanks very much for your reading,
Want to get more information,
Please click here, Then get the complete
manual**

JustClickHere 

NOTE:

**If there is no response to click on the link above,
please download the PDF document first, and then
click on it.**

**Have any questions please write to me:
admin@servicemanualperfect.com**